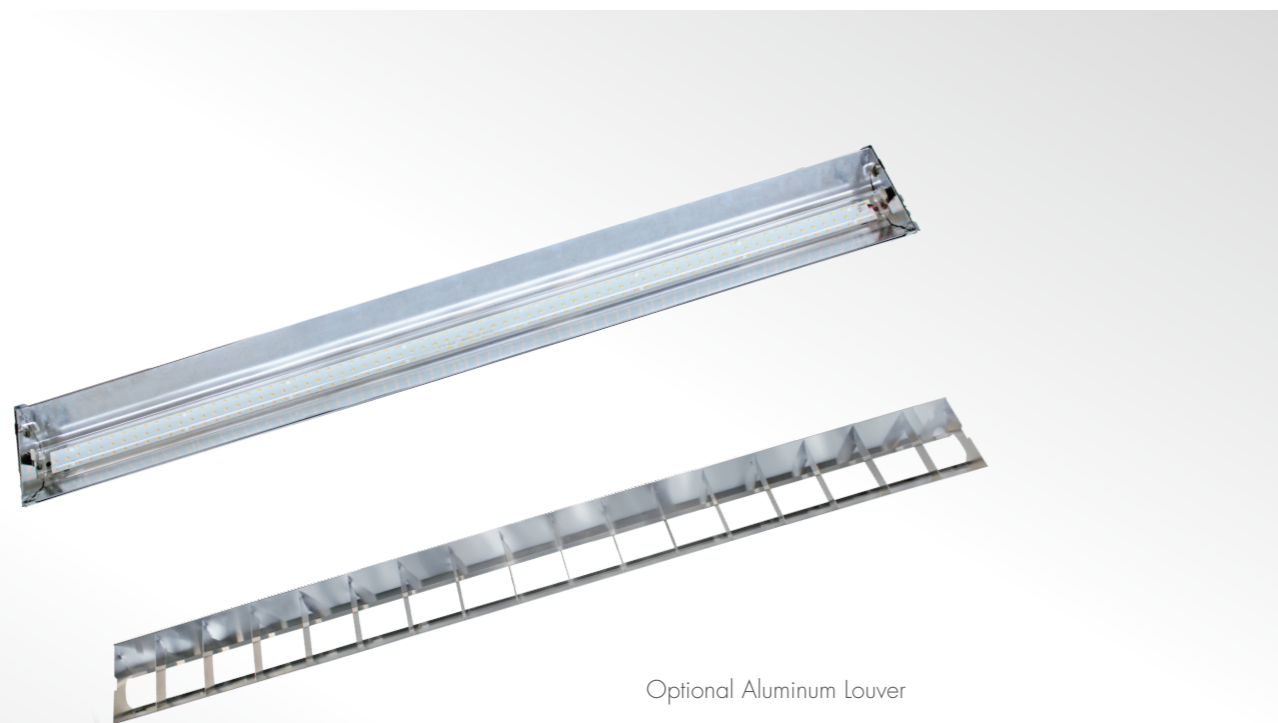


MAAT M1200



Optional Aluminum Louver

Silver Colour

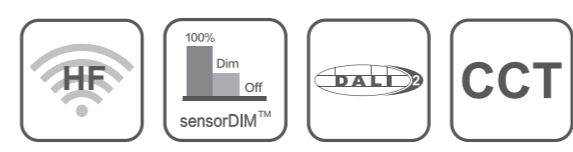


Features & Benefits

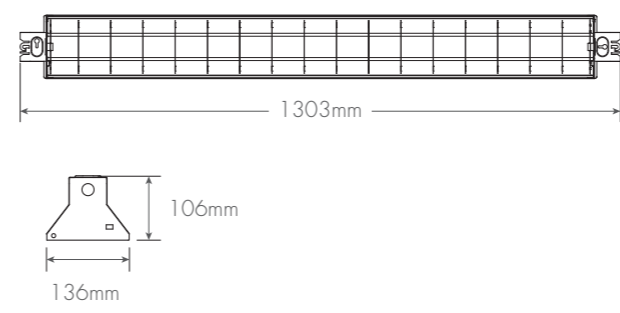
Maat is the galvanized steel sheet industrial luminaire, professional and powerful. With long working life, low energy consumption and high lighting performance, it is optimal for areas where access to maintenance and service of luminaires is difficult, namely logistic centers, warehouses, large stores, production halls, sports facilities, garages, supermarkets, etc.

- 1 • Frame and ends: corrosion-resistant alu-zinc • Reflector: matt anodized aluminum
- 2 • Easy installation with innovative pivot function and hinged gear tray: open with a simple press, insert the cable, connect, then close again.
- 3 • Mounted directly onto the ceiling • Mounted on a horizontal carrying rope with a built-in mounting hook
- 4 • One cable entry in the middle, and one cable entry on each end
- 5 • 5-pole quick terminal block, with 5x2.5mm² through wiring.
- 6 • Optional selectable color temperature • Optional selectable power • Optional aluminum louver, decrease glare
- 7 • Wide choice of intelligent functions, with/without sensor, DALI, etc.

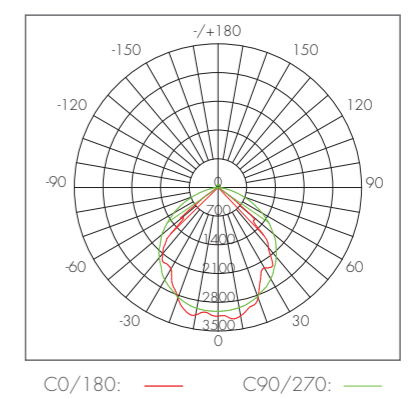
Function



Dimensions



Photometrics



Lumen Output

Model	Power	Colour Temp.				Standard Lumen	High Lumen Version	
		3000K	4000K	5000K	(±10%)			
M1200	60W (Standard Lumen)	6810lm	6940lm	7050lm	(±10%)	3000K	110lm/W	135lm/W
M1200	60W (High Lumen Version)	8220lm	8400lm	8580lm	(±10%)	4000K	115lm/W	140lm/W
						5000K	120lm/W	145lm/W

• Customized higher lumen output available

Specification

Input Voltage	CRI	Power Factor	SDCM	Beam Angle	Operation Temp.	IP	Class
220~240VAC	>80	>0.9	3	100°	-20°C~+40°C	IP23	I

Fitting Material	Standard Lifespan	Premium Lifespan	Standard
Alu-zinc & Iron Housing + PC diffuser	L70B50: 50,000h	L70B50: 125,000h / L80B10: 65,000h	EN60598-2-1/EN55015/EN62778

Carton (L x W x H)	QTY/CTN	QTY/20'GP	QTY/40'GP	QTY/40'HQ
133 x 38.5 x 30.5 cm	4 pcs	640 PCS / 160 CTNS	1408 PCS / 352 CTNS	1584 PCS / 396 CTNS