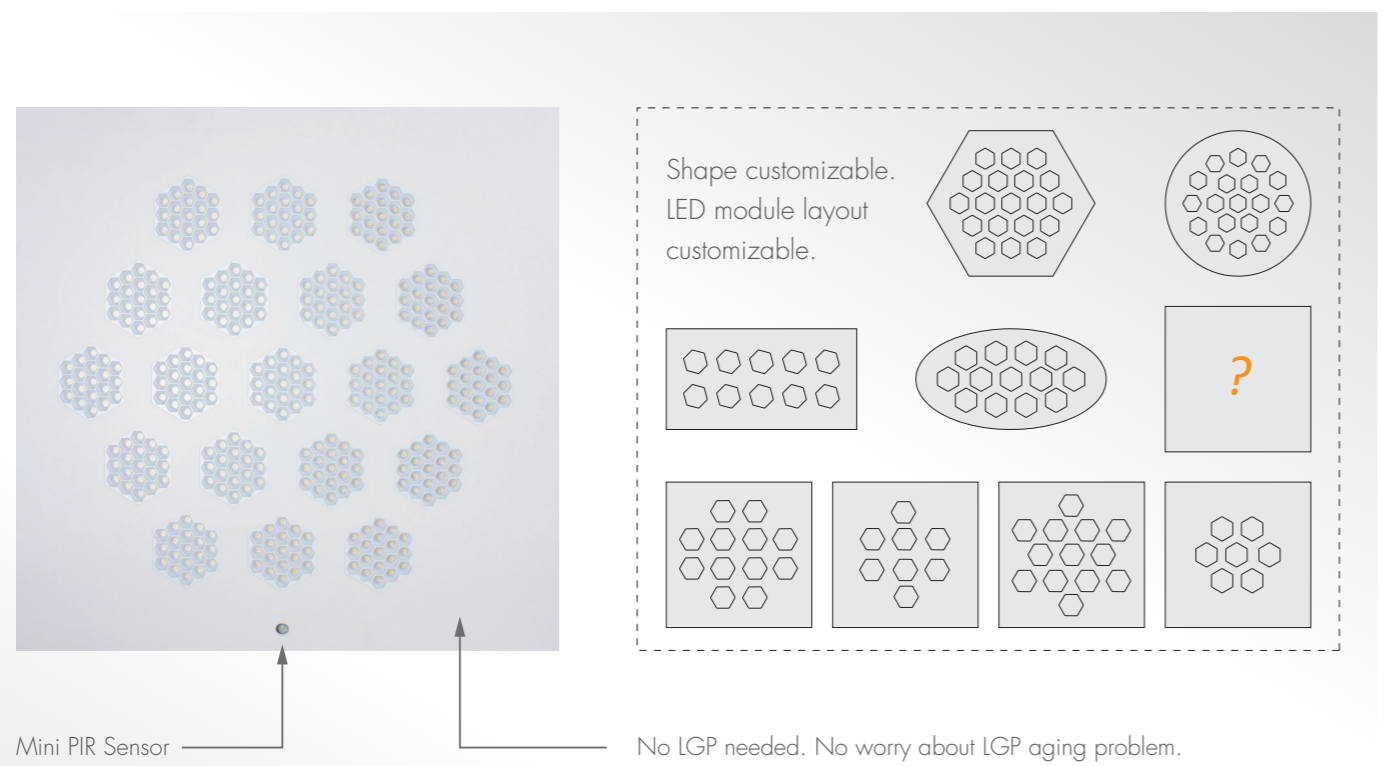


# HERA-N H6060-N



White  
RAL9003



## Features & Benefits

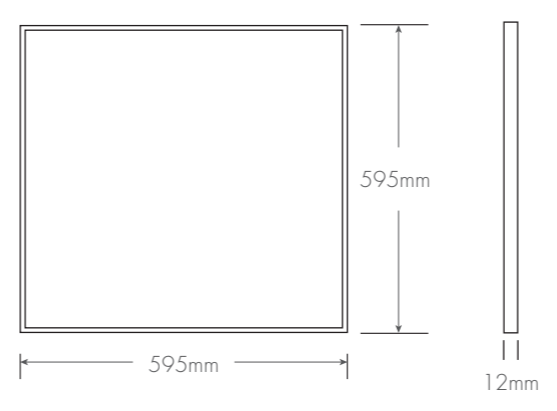
Hera-N is a design and customizable panel light, direct emitting with excellent luminous efficiency and low UGR. It is ideal for offices, classrooms/education, health facilities, halls, corridors, living rooms.

- Shape customizable • LED module layout customizable
- With Linect system, plug ' n ' play, quick loopable connection
  - With Hytronik's Quick Connect Boxes (QCB series), wiring processes is simplified, easy plug ' n ' play
- Recess mounted • Ceiling, or suspension mounted via accessory
- Optional selectable color temperature • Optional selectable power
- Wide choice of intelligent functions, with/without Bluetooth, human centric, sensor, emergency, DALI, etc.

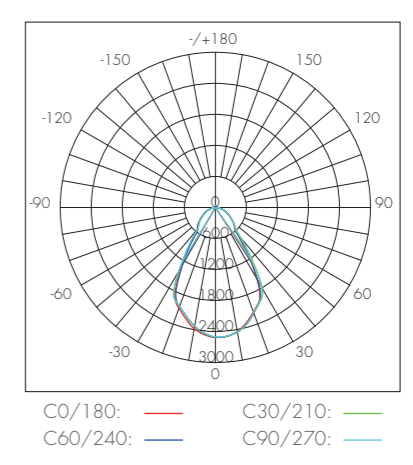
## Function



## Dimensions



## Photometrics



## Lumen Output

Model	Power	Colour Temp.	3000K	4000K	5000K	Fixed Colour Temp. & Lumen Efficiency
H6060-N	36W	Fixed	3600lm	3750lm	3900lm	(±10%) 3000K, 100lm/W 4000K, 104lm/W 5000K, 108lm/W

Model	Power	Colour Temp.	2700K	4000K	6500K	Changable Colour Temp. & Lumen Efficiency
H6060-N	36W	Changable	3348lm	3492lm	3600lm	(±10%) 2700K, 93lm/W 4000K, 97lm/W 6500K, 100lm/W

• Customized higher lumen output available

## Specification

Input Voltage	CRI	Power Factor	SDCM	Beam Angle	Operation Temp.	IP	Fitting Material	Class
220~240VAC	>80	>0.9	3	65°	-20°C~+40°C	IP20	PVC+PC	II

Lifespan	Standard	Emergency Lumen	Battery
L70B50: 100,000h	EN60598-2-1/EN55015/EN62778/EN60598-2-22	200lm~400lm	3h Duration

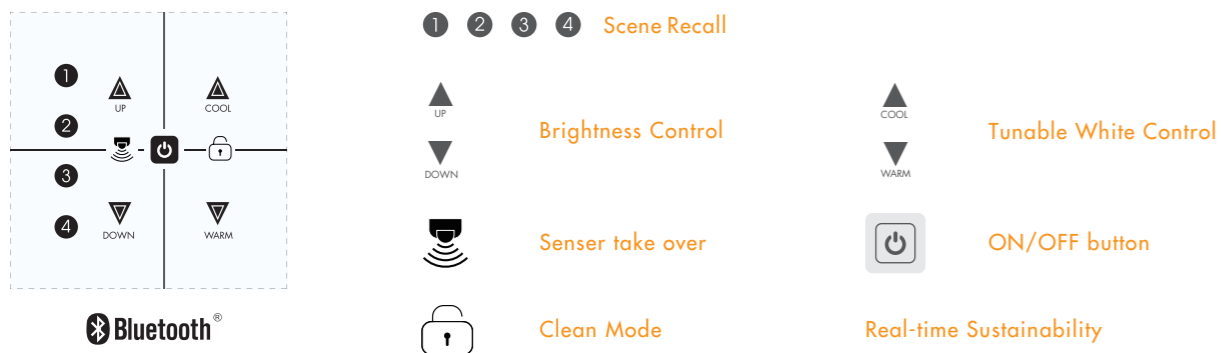
  

Carton (L x W x H)	QTY/CTN	QTY/20'GP	QTY/40'GP	QTY/40'HQ
64 x 16.5 x 64.5 cm	4 pcs	1468 PCS / 367 CTNS	3228 PCS / 807 CTNS	3640 PCS / 910 CTNS

# Quick Connect System

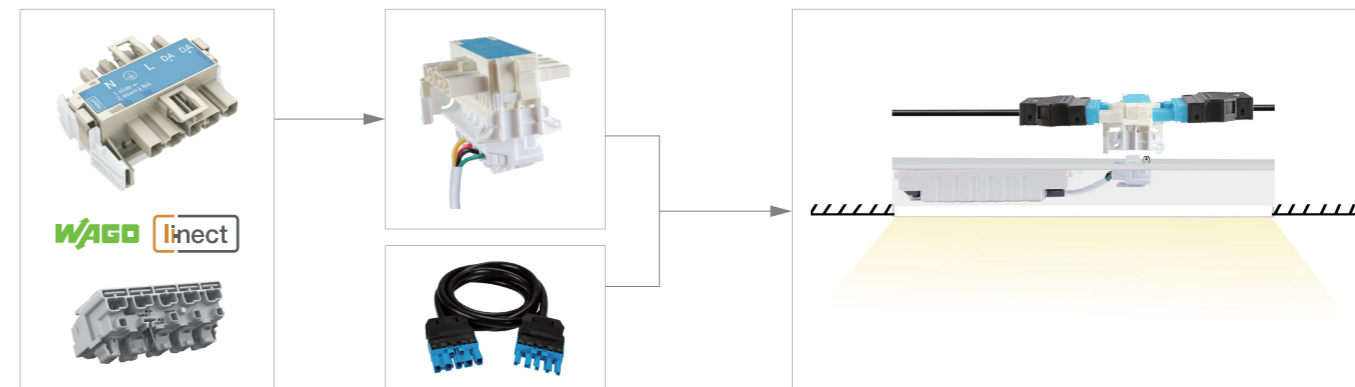


## ● Bluetooth Touch Panel



## ● Linect Connection

Connecting to Linect System, universal for recessed luminaires

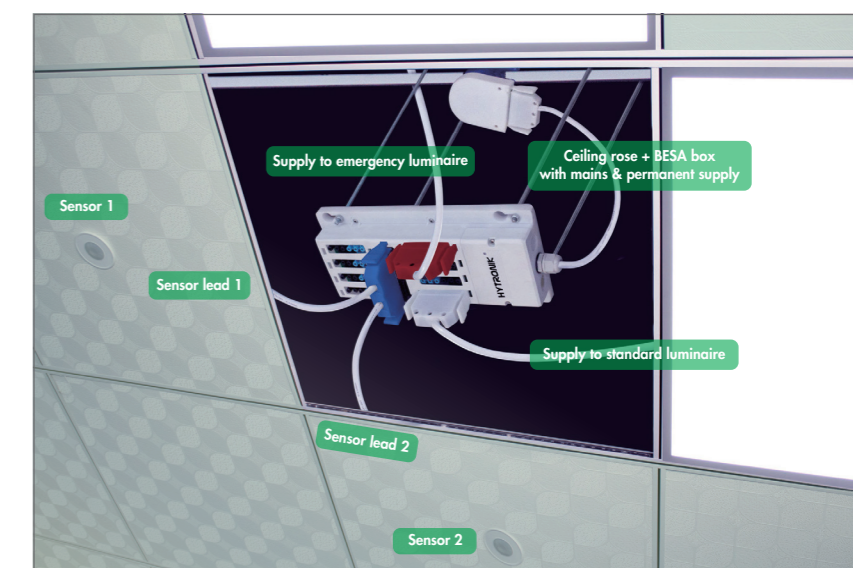


## ● Quick Connect Box



Quick Connect Boxes (QCB series) belong to Bluetooth 5.0 SIG Mesh Eco-system. They help simplify wiring processes on project sites, making it extremely simple and intuitive for installers and project managers by easy plug'n' play connections.

Quick Connect Boxes together with cables and plugs, ceiling rose components, and a wide range of sensor/controller selections, constitute the Modular Wiring System. This significantly saves the labor cost, minimizes installation time, improves safety level during operations, and also simplifies future upgrade & maintenance



Modular Wiring System Overview